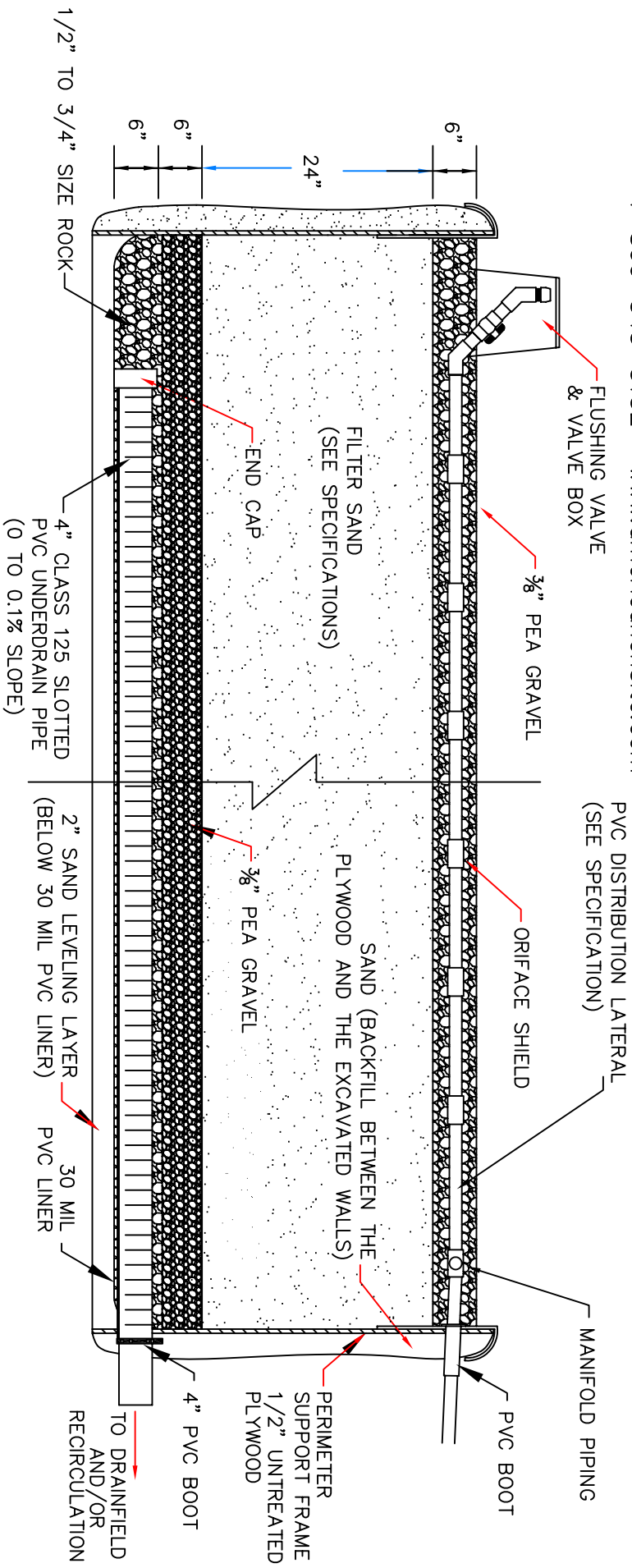




AMERICAN MANUFACTURING - RECIRCULATING SAND FILTER

1-800-345-3132 * www.americanonsite.com



SIDE PROFILE - SCHEMATIC ONLY
NOT TO SCALE

MEDIA SPECIFICATIONS:

WASHED, DURABLE, GRANULAR
EFFECTIVE SIZE: 1.0 - 3.0 mm
UNIFORMITY COEFFICIENT: <4
DEPTH: TYPICAL 24 INCHES

TRANSITION BEDDING:

WASHED, DURABLE GRAVEL
TYP.: 3/8" PEA GRAVEL

UNDERDRAINS

4" CLASS 125 SLOTTED
PVC UNDERDRAIN PIPE
SLOPE 0 TO 0.1%
BEDDING: WASHED DURABLE GRAVEL OR
CRUSHED STONE (1/2" TO 3/4")

AMERICAN MANUFACTURING CO.

5617 WELINGTON ROAD, GAINESVILLE VA22095 PHONE : 703-754-0077

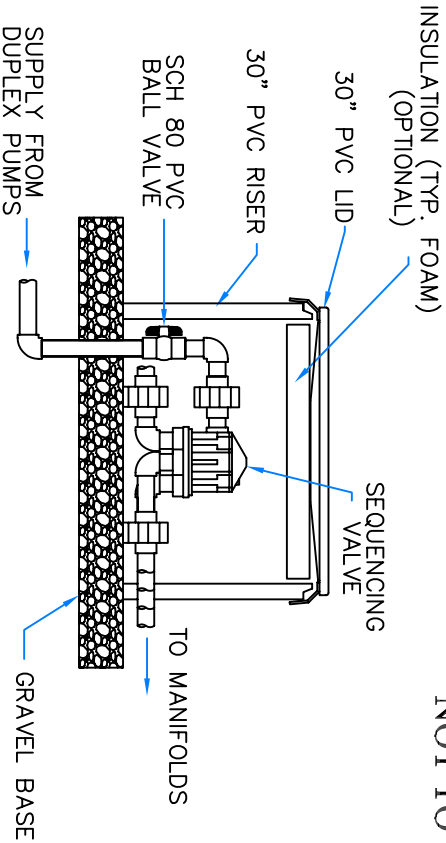
PROJECT NAME :	DRAFTER	DATE
COUNTRY :	CHECKED	DATE
DESIGNED BY:	APPROVED	DATE
	TITLE :	
	SIDE PROFILE	
	ASD RSF	



AMERICAN MANUFACTURING - RECIRCULATING SAND FILTER

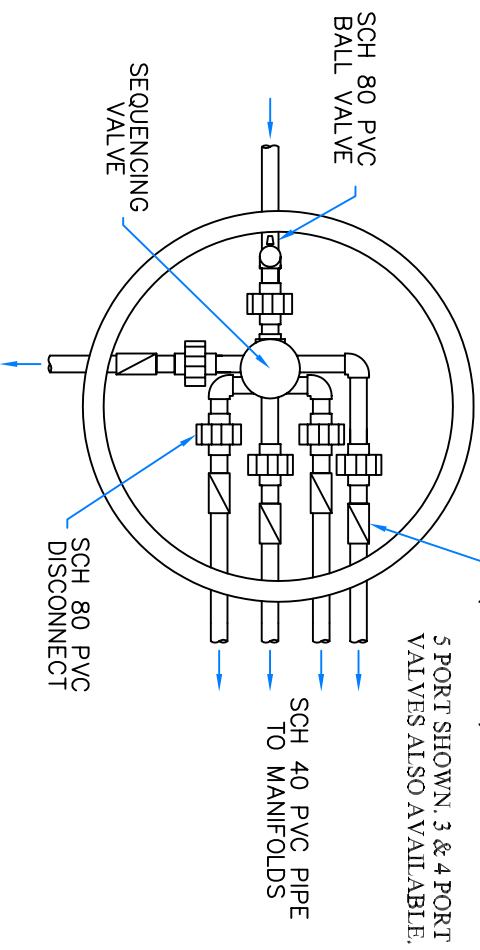
1-800-345-3132 * www.americanonsite.com

SEQUENCING VALVE NOT TO SCALE



SIDE VIEW

CHECK VALVE
(OPTIONAL)
5 PORT SHOWN, 3 & 4 PORT
VALVES ALSO AVAILABLE.



PLAN VIEW

Notes: Sequencing Valve

The valve must be installed at an elevation above the manifolds and laterals so that each manifold supply pipe drains through the manifold and into the laterals after the pump shuts off. The supply line to the sequencing valve must have fall back to the pump/recirc. tank for drain back.

AMERICAN MANUFACTURING CO.

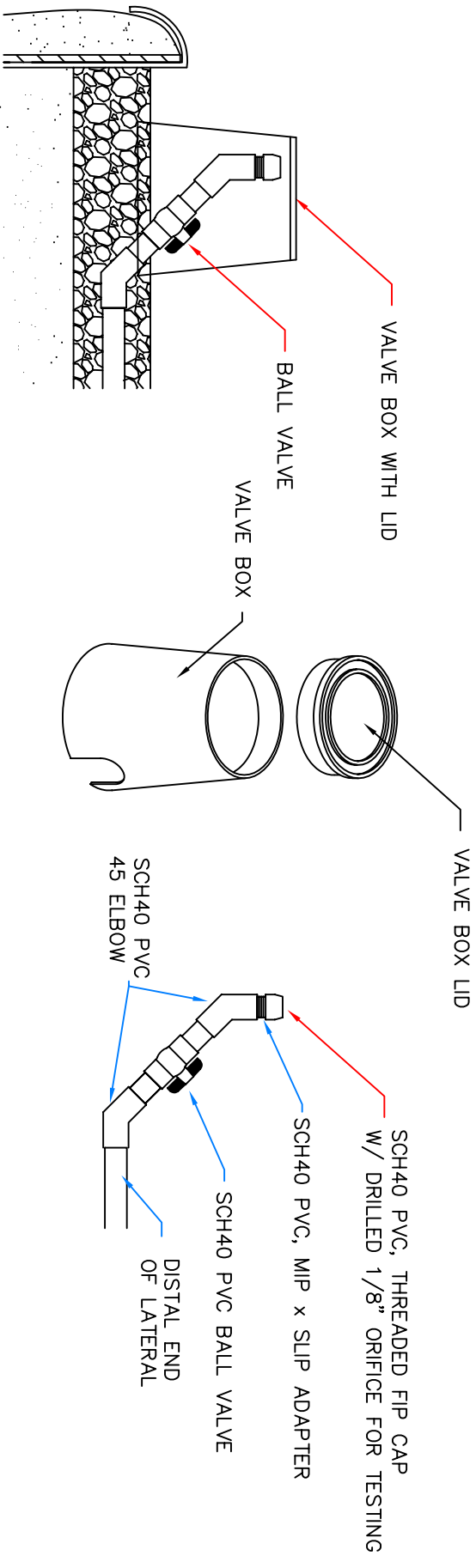
5517 WELLINGTON ROAD, GAINESVILLE VA22065 PHONE : 703-754-0077

PROJECT NAME :	DRAFTER	DATE
CHECKED	DATE	
APPROVED	DATE	
TITLE :	SIDE PROFILE ASD RSF	
COUNTY :		
DESIGNED BY:		



AMERICAN MANUFACTURING - RECIRCULATING SAND FILTER

1-800-345-3132 * www.americanonsite.com



FLUSHING VALVE & VALVE BOX DETAIL NOT TO SCALE

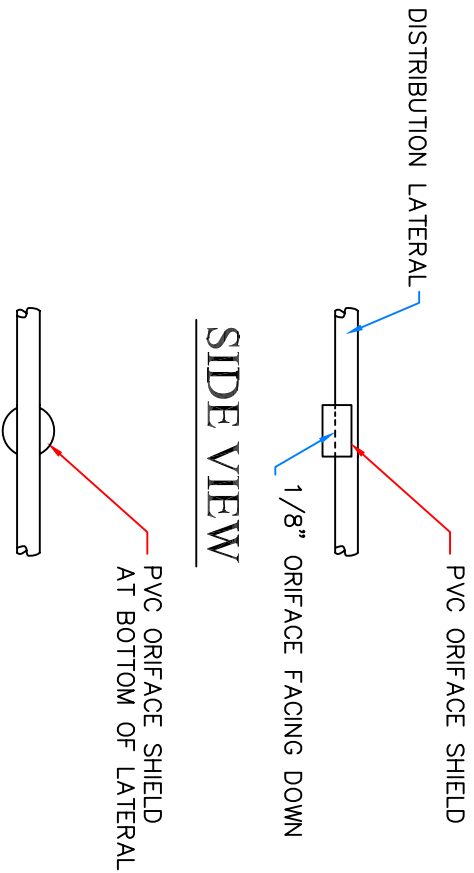
AMERICAN MANUFACTURING CO.	
5517 WELLINGTON ROAD, GAINESVILLE VA22065 PHONE : 703-794-0077	
PROJECT NAME :	DRAFTER DATE
CHECKED DATE	APPROVED DATE
TITLE :	FLUSHING VALVE DETAIL
COUNTY :	DESIGNED BY :

File: S:\Data\Admin C:\Data\Admin\Packages\ASDST\AsdSt-2.dwg SCALE : NTS SHEET OF



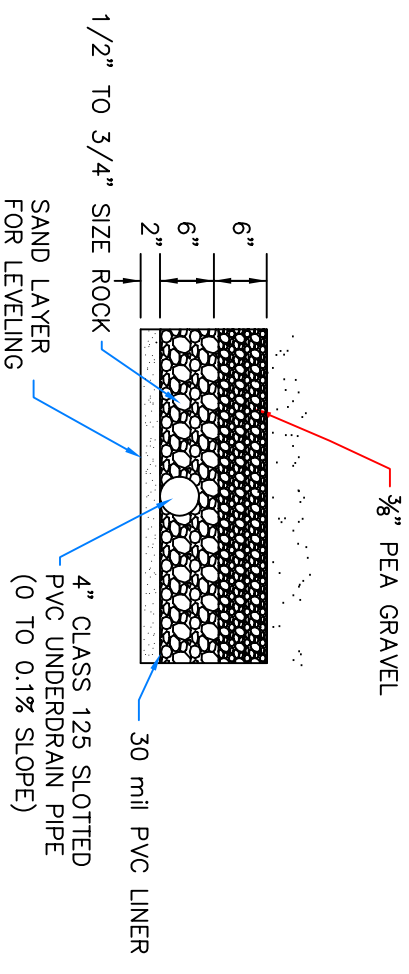
AMERICAN MANUFACTURING - RECIRCULATING SAND FILTER

1-800-345-3132 * www.americanonsite.com



PLAN VIEW

ORIFACE & ORIFACE SHIELD DETAIL NOT TO SCALE



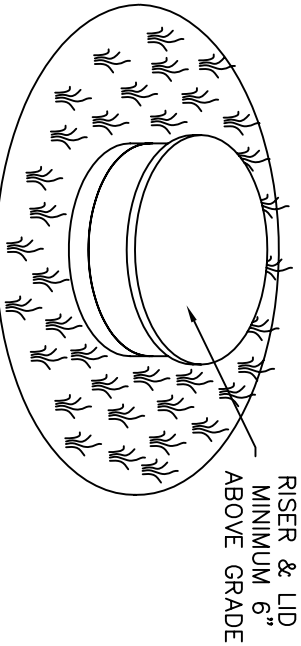
UNDERDRAIN DETAIL SCHEMATIC NOT TO SCALE

AMERICAN MANUFACTURING CO.	
5517 WELLINGTON ROAD, GAINESVILLE VA22066 PHONE : 703-754-0077	
PROJECT NAME :	DRAFTER DATE
COUNTY :	CHECKED DATE
	APPROVED DATE
TITLE : ORIFACE SHIELD & UNDERDRAIN DETAILS	
DESIGNED BY:	



AMERICAN MANUFACTURING - RECIRCULATING SAND FILTER

1-800-345-3132 * www.americanon-site.com



NORMAL FLOW PERIOD TO DISTRIBUTION BOX

OPTIONAL 225 W. HEATER

LOW FLOW PERIOD 100% RECYCLE

INSULATION (TYP. FOAM) (OPTIONAL)

24" PVC LID

24" PVC RISER

GRAVEL BASE

FROM SAND FILTER

TO AMC CONTROL PANEL (BY OTHERS)

115v MOTORIZED BULL RUN VALVE (DIVERSION VALVE)

JUNCTION BOX (BY OTHERS)

TO AMC CONTROL PANEL

MOTORIZED BULL RUN VALVE
NOT TO SCALE

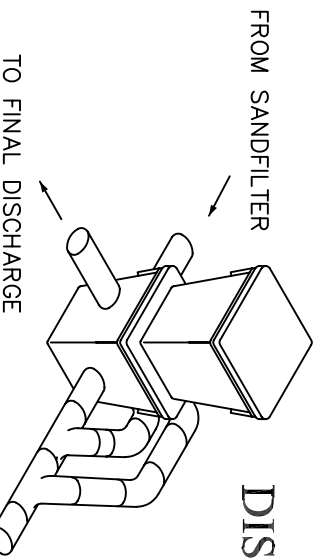
Notes: Motorized BRV

The valve must be installed with the sand filter return line connected to the valve port marked "IN". The valve ports marked "OUT" will be connected to the lines for 100% recycle and the distribution box.

All ports are 4.0" SCH 40 female slip connection. Valve operates on 115v.

Any of the following can be used to connect to the valve:

- 1) SCH40 PVC or ABS pipe.
- 2) Adapter bushing (DWW Hub to Sewer & Drain Spigot).
- 3) ASTM 2729 (SCH30) Coupling
- 4) Bell end of ASTM 2729 (SCH30) pipe.



RATIO DISTRIBUTION BOX
NOT TO SCALE

4:1 SHOWN
(5:1 AVAILABLE)

- THE D-BOX PROVIDES:
1. THE ABILITY TO ADJUST RECIRCULATION RATIO
 2. AT GRADE ACCESS
 3. SAMPLE AND INSPECTION

AMERICAN MANUFACTURING CO.

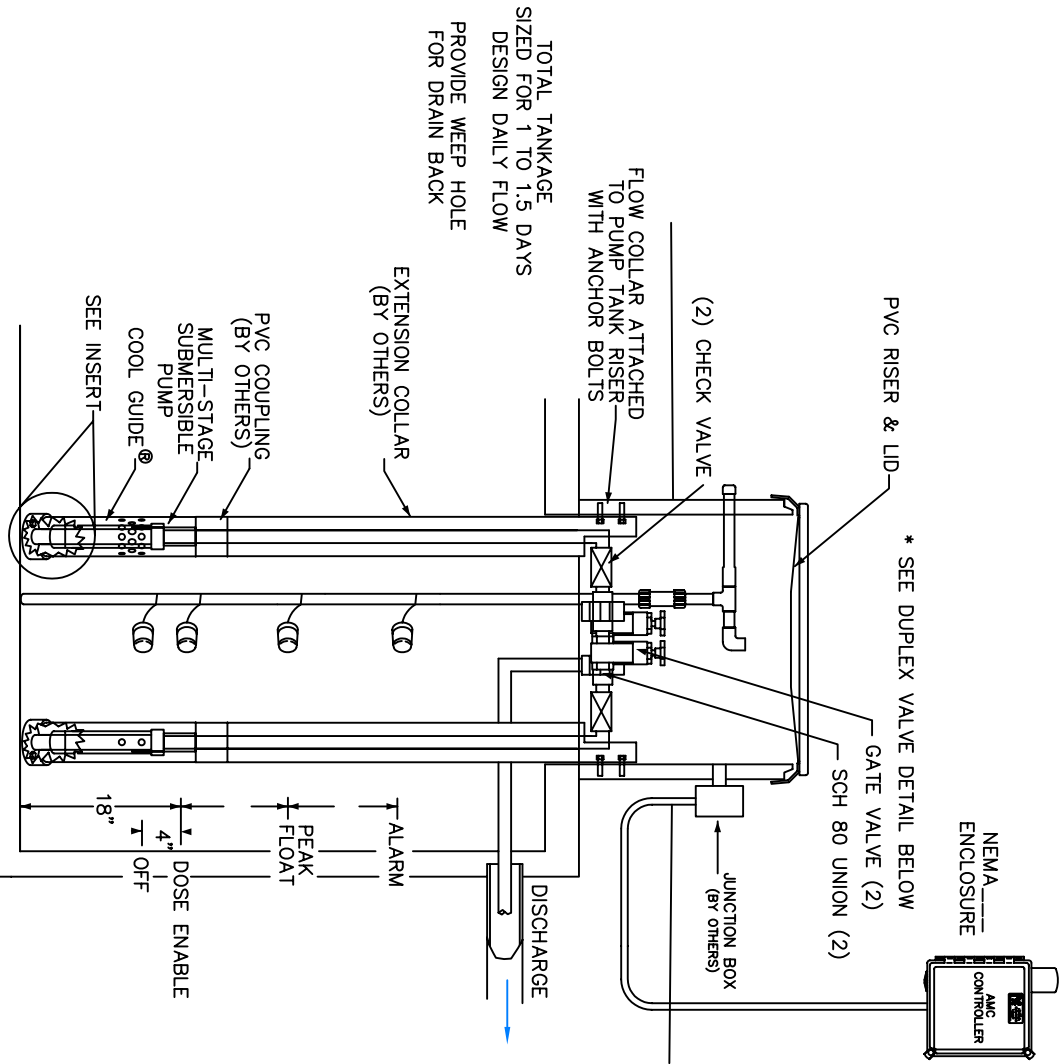
5517 WELINGTON ROAD, GAINESVILLE VA22065 PHONE : 703-754-0077

PROJECT NAME :	DRAFTER :	DATE :
	CHECKED :	DATE :
	APPROVED :	DATE :
COUNTY :	TITLE :	
	MOTORIZED BRV & DISTRIBUTION BOX	



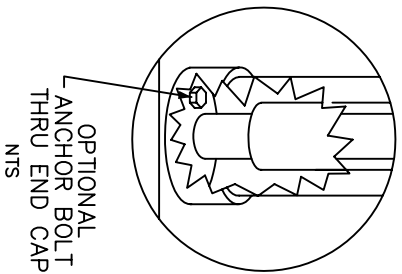
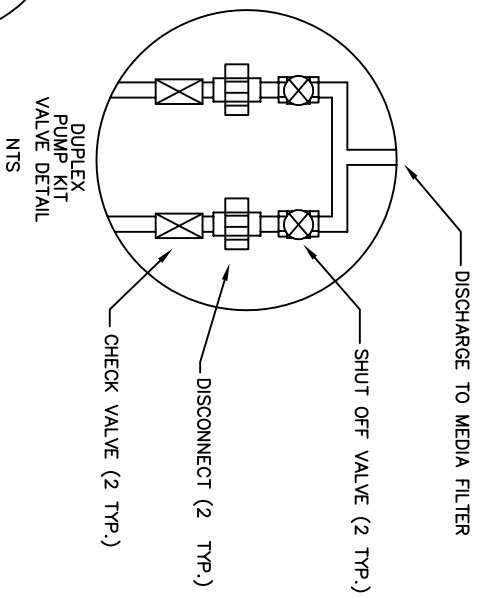
AMERICAN MANUFACTURING - RECIRCULATING SAND FILTER

1-800-345-3132 * www.americanon-site.com



TOTAL TANKAGE
SIZED FOR 1 TO 1.5 DAYS
DESIGN DAILY FLOW
PROVIDE WEEP HOLE
FOR DRAIN BACK

STANDARD DUPLEX PUMP SYSTEM (ONE DUPLEX PER SEQ. VALVE) NOT TO SCALE



NOTE: COOL GUIDE® & FLOW COLLAR NOT APPLICABLE FOR ALL APPLICATIONS.

AMERICAN MANUFACTURING CO. 5617 WELINGTON ROAD, GAINESVILLE VA22065 PHONE : 703-754-0077	
PROJECT NAME :	DRAFTER : DATE
COUNTRY :	CHECKED : DATE
DESIGNED BY :	APPROVED : DATE
	TITLE :
	PUMP TANK DETAIL - DUPLEX

File: S:\Data\Admin C:\Data\Admin\Prodages\ASDST\Asdstr-2.dwg SCALE : NTS SHEET OF