



AMERICAN ONSITE PRODUCTS

AMERICAN "COOL GUIDE™"

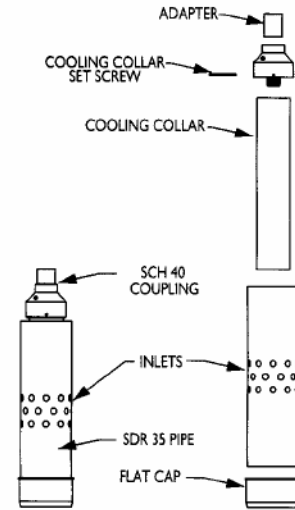
For NEW or REPLACEMENT Systems

- ~ PUMP GUIDE HOLDER
- ~ LOW TURBULENCE
- ~ COOLING COLLAR

A LAMINAR FLOW COLLAR (LFC) FOR;
SMALL SOLIDS EFFLUENT PUMPS

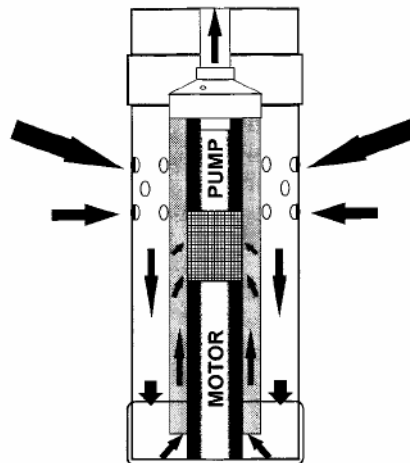
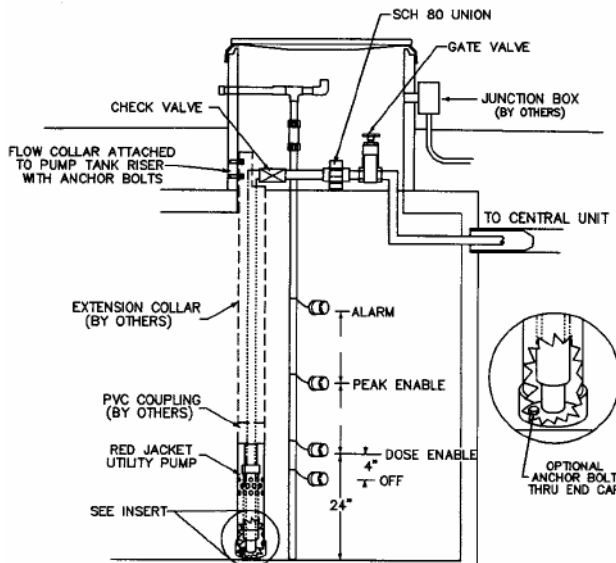


Small flow wastewater collection and distribution systems more and more need pumps with high head and low flow capacity. The use of a multi-stage centrifugal pump such as traditionally used in the water well industry helps fill this need. Manufacturers of these types of pumps have used their knowledge of pumping from dirty wells to develop pumps for clear effluent pumping. The key to using these types of pumps in effluent applications is to keep the motor cool, secure it in a tank to make it easily accessible, and don't mix the residual solids in the tank during pumping.



Patent No. 6,61,452 B1

INSTALLATION SCHEMATIC



FOR LAMINAR FLOW & COOLING

Effluent enters the inlets under slow laminar flow conditions, then moves downward, then up between the cooling collar and the motor to cool the motor.

ITEM	DESCRIPTION
COOLGUIDE15	LAMINAR FLOW COLLAR 6", 15 GPM
COOLGUIDE25	LAMINAR FLOW COLLAR 8", 25 GPM
COOLGUIDE40	LAMINAR FLOW COLLAR 8", 40 GPM